

并联机器人

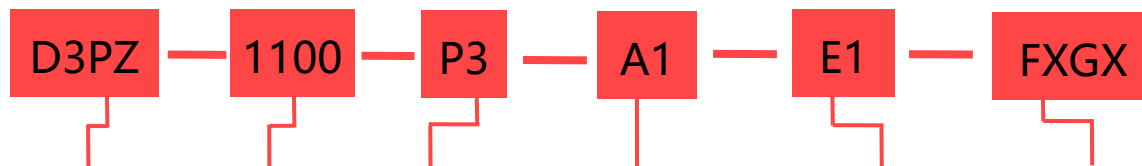
选型手册

Parallel Robot Selection Manual

D3PZ

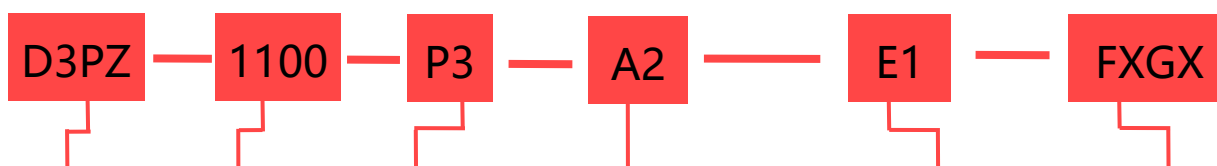


型号和符号



机型	型号	负载	控制器类型	控制柜类型	视觉
D3PZ	800	P0.5: 0.5kg P1: 1kg P3: 3kg	A1: ATOMCONTROL	E1: Atom-Unit-01 E2: Atom-unit-02 E3: 定制	F0G0: 无视觉 FXGX: 有视觉
	1100				
	1300				
	1400				
	1600				

Model and Symbol



Robot type	Type	Load Type	Control Type	Control Cabinet	Vision Type
D3PZ	800	P0.5: 0.5kg P1: 1kg P3: 3kg	A1: ATOMCONTROL	E1: ATOM-01 E2: ATOM-02 E3: Custom	F0G0: Without vision FXGX: With vision
	1100				
	1300				
	1400				
	1600				

D3PZ-700-P0.5



高速度
高精度
高稳定性
一体铸造

High speed
High precision
High stability
Whole body cast

型号 Type		D3PZ-700-P0.5
轴数 Axes		3+1
最大负载 Payload		0.5kg
机器人本体 Manipulator	重量 Weight	85kg
	工作空间直径 Diameter	700mm
重复定位精度 repeatability	位置 Position	0.05mm
	旋转 Rotation	0.1°
旋转范围 Rotation range		±360°
允许负载最大旋转惯量 Allowable maximum moment of inertia		$31 \times 10^{-4} \text{kg} \cdot \text{m}^2$
主动臂角度范围 Angle range of actuated arm	上摆 Up	28°
	下摆 Down	60°
输入电源 Power supply	三相 Three-phase 380VAC -10%~+10%, 49~61HZ	
电源容量 Power capacity	6KVA	
额定功率 Rated Power	2.35kw	
保存温度 Storage temperature	-10°C~70°C	
工作环境 Work environment	-10°C~50°C, RH≤80%	
防护等级 Protection	IP55/IP67	

◆ 标准循环时间小于0.4s,满足追求最高速度和最小体积需求

The standard cycle time is less than 0.4s, meeting your pursuit for the maximum speed and economic.

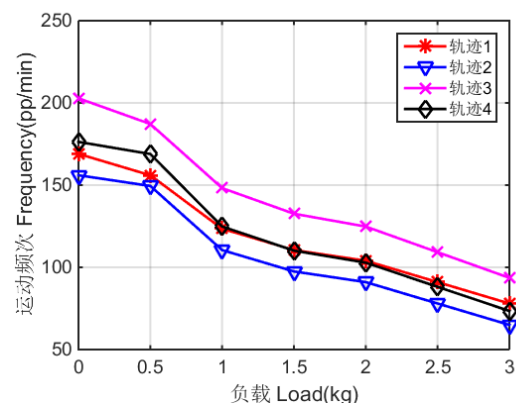
◆ 特殊旋转轴铰链设计, 轻松应对高强度高频次重复运动需求

Advanced design of Hooke joint in the rotational axis, enables the robot to easily cope with the high-intensity repetitive operation.

◆ 非常适于食品、医药等行业的高速生产作业, 主要用于小型物料的装配、搬运、分拣等

The robot is ideal for high-speed production in food and medicine industry. Widely used in assembly, handling and pick-and-place of small materials.

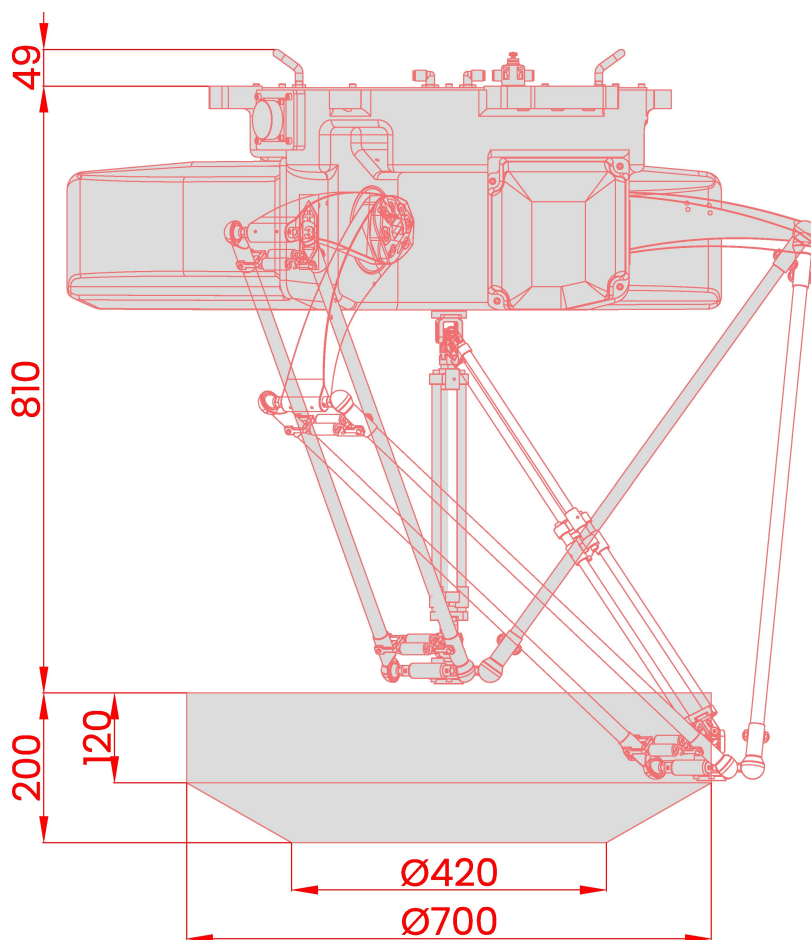
● 负载-频次 Load-Frequency



名称 Name	循环模式 Model	运动距离 Distance
轨迹1 Trajectory1	P1 → P2 → P3 → P4 → P3 → P2 → P1	h=25, b=305
轨迹2 Trajectory2	P1 → P2 → P3 → P4 → P3 → P2 → P1	h=25, b=500
轨迹3 Trajectory3	P1 → P2 → P3 → P2 → P1	h=25, b=305
轨迹4 Trajectory4	P1 → P2 → P3 → P2 → P1	h=25, b=500

特别注意: 图中节拍时间在实际条件下测得, 但根据实际运用情况的不同 (工具数据、路径半径、夹具启动等), 节拍时间也会发生变化。

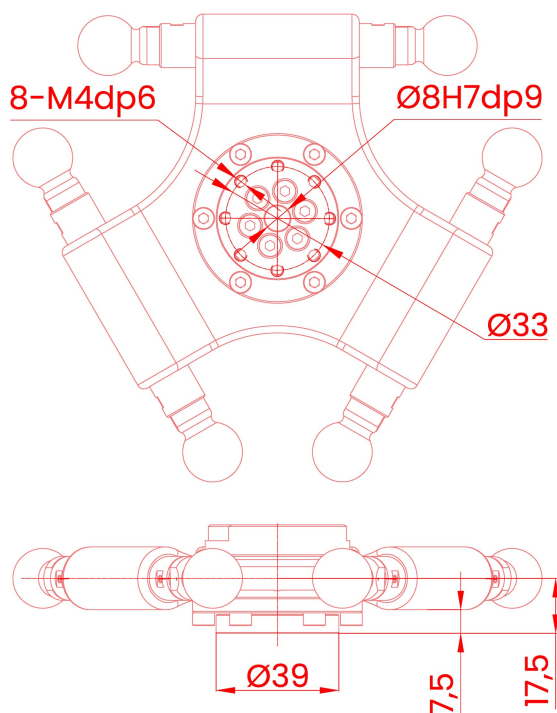
外形尺寸及运动范围
Outline dimensions and Working range (mm)



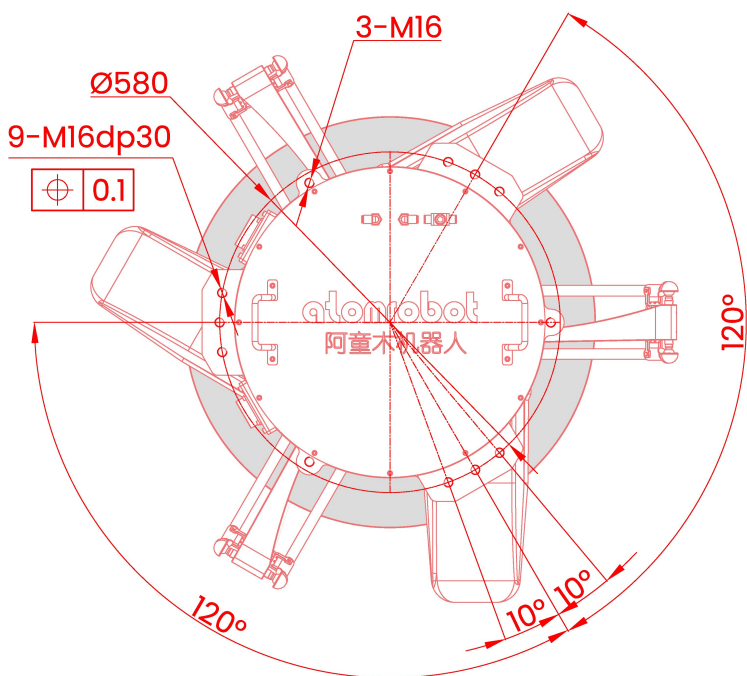
说明：
图示下部加深部分为机器人末端下表面几何中心的运动范围，上部为圆柱空间，并在下部向内收敛。

Instruction:
The bottom gray part is the workplace of bottom surface's center point of the end, which is composed of a cylinder at the top and a circular truncated cone at the bottom.

法兰 Flange (mm)



基座安装 Base installation (mm)



D3PZ-800-P1



高速度
高精度
高稳定性
一体铸造

High speed
High precision
High stability
Whole body cast

型号 Type		D3PZ-800-P1
轴数 Axes		3+1
最大负载 Payload		1kg
机器人本体 Manipulator	重量 Weight	86kg
	工作空间直径 Diameter	800mm
重复定位精度 repeatability	位置 Position	0.05mm
	旋转 Rotation	0.1°
旋转范围 Rotation range		±360°
允许负载最大旋转惯量 Allowable maximum moment of inertia		$31 \times 10^{-4} \text{kg} \cdot \text{m}^2$
主动臂角度范围 Angle range of actuated arm	上摆 Up	32°
	下摆 Down	60°
输入电源 Power supply	三相 Three-phase 380VAC -10%~+10%, 49~61HZ	
电源容量 Power capacity	6KVA	
额定功率 Rated Power	2.35kw	
保存温度 Storage temperature	-10°C~70°C	
工作环境 Work environment	-10°C~50°C, RH≤80%	
防护等级 Protection	IP55/IP67	

◆ 标准循环时间小于0.4s,满足追求最高速度和最小体积需求

The standard cycle time is less than 0.4s, meeting your pursuit for the maximum speed and economic.

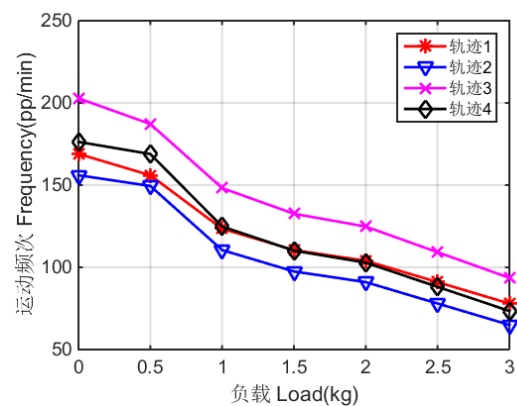
◆ 特殊旋转轴铰链设计, 轻松应对高强度高频次重复运动需求

Advanced design of Hooke joint in the rotational axis, enables the robot to easily cope with the high-intensity repetitive operation.

◆ 非常适于食品、医药等行业的高速生产作业, 主要用于小型物料的装配、搬运、分拣等

The robot is ideal for high-speed production in food and medicine industry. Widely used in assembly, handling and pick-and-place of small materials.

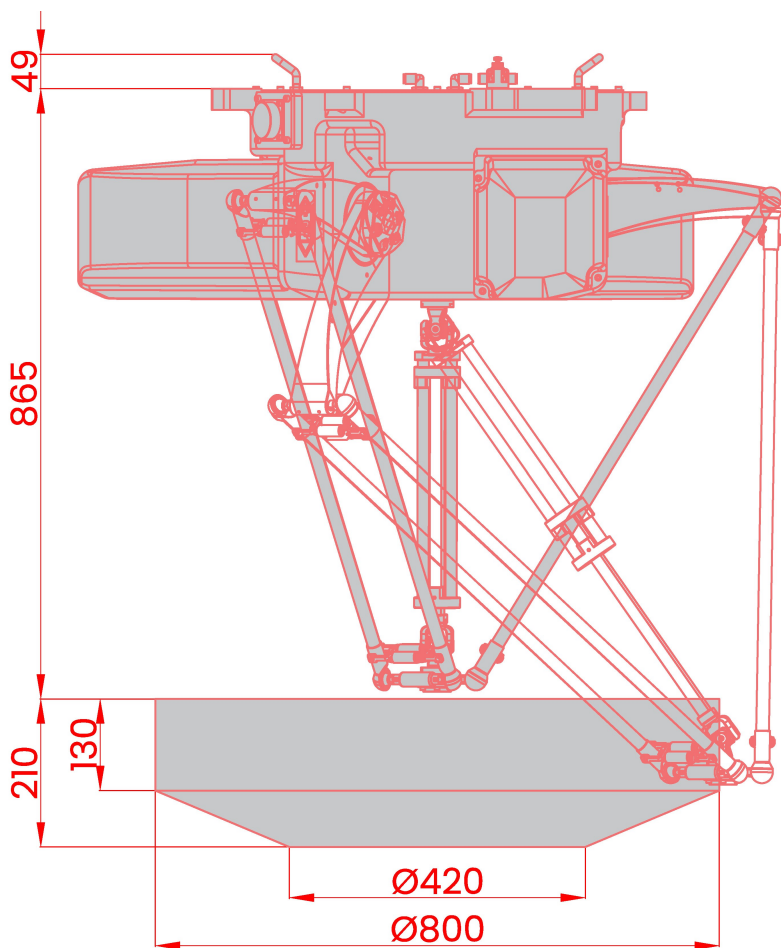
● 负载-频次 Load-Frequency



名称 Name	循环模式 Model	运动距离 Distance
轨迹1 Trajectory1	P1 → P2 → P3 → P4 → P3 → P2 → P1	h=25, b=305
轨迹2 Trajectory2	P1 → P2 → P3 → P4 → P3 → P2 → P1	h=25, b=500
轨迹3 Trajectory3	P1 → P2 → P3 → P2 → P1	h=25, b=305
轨迹4 Trajectory4	P1 → P2 → P3 → P2 → P1	h=25, b=500

特别注意: 图中节拍时间在实际条件下测得, 但根据实际运用情况的不同 (工具数据、路径半径、夹具启动等), 节拍时间也会发生变化。

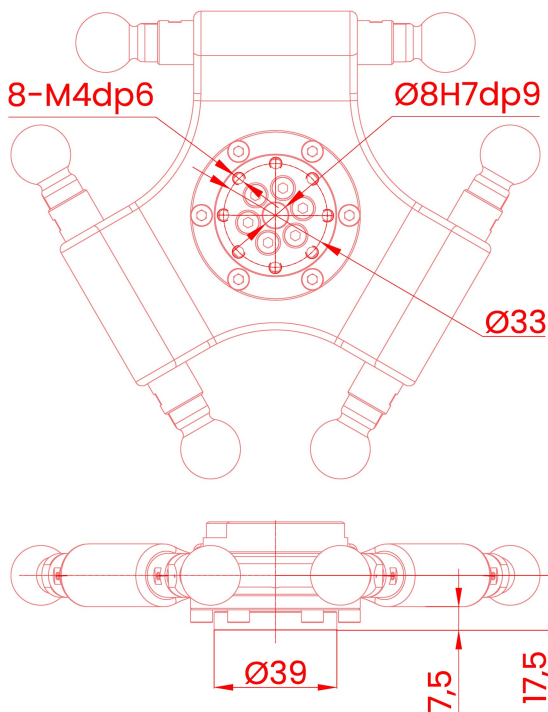
外形尺寸及运动范围
Outline dimensions and Working range (mm)



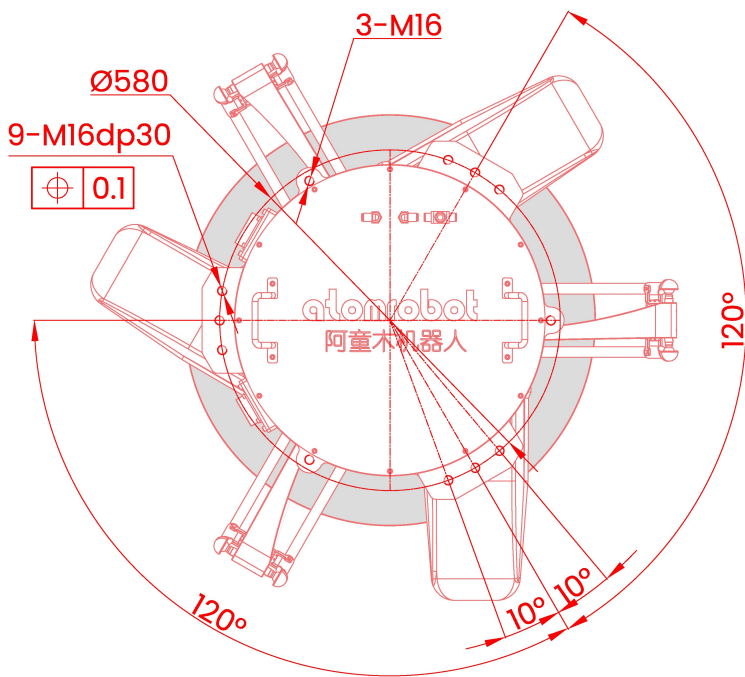
说明:
图示下部加深部分为机器人末端下表面几何中心的运动范围, 上部为圆柱空间, 并在下部向内收敛。

Instruction:
The bottom gray part is the workplace of bottom surface's center point of the end, which is composed of a cylinder at the top and a circular truncated cone at the bottom.

法兰 Flange (mm)



基座安装 Base installation (mm)



D3PZ-800-P3



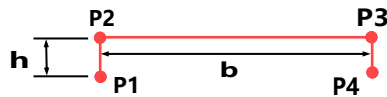
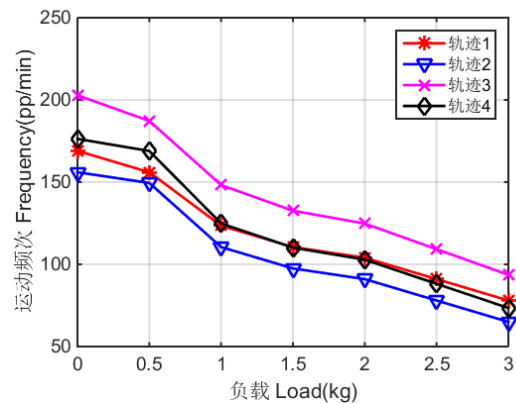
高速度
高精度
高稳定性
一体铸造

High speed
High precision
High stability
Whole body cast

型号 Type		D3PZ-800-P3
轴数 Axes		3+1
最大负载 Payload		3kg
机器人本体 Manipulator	重量 Weight	88.8kg
	工作空间直径 Diameter	800mm
重复定位精度 repeatability	位置 Position	0.05mm
	旋转 Rotation	0.1°
旋转范围 Rotation range		±360°
允许负载最大旋转惯量 Allowable maximum moment of inertia		$31 \times 10^{-4} \text{kg} \cdot \text{m}^2$
主动臂角度范围 Angle range of actuated arm	上摆 Up	30.2°
	下摆 Down	63.6°
输入电源 Power supply	三相 Three-phase 380VAC -10%~+10%, 49~61HZ	
电源容量 Power capacity	6KVA	
额定功率 Rated Power	2.35kw	
保存温度 Storage temperature	-10°C~70°C	
工作环境 Work environment	-10°C~50°C, RH≤80%	
防护等级 Protection	IP55/IP67	

- ◆ 标准循环时间小于0.45s,满足追求最高速度和最小体积需求
The standard cycle time is less than 0.45s, meeting your pursuit for the maximum speed and economic.
- ◆ 特殊旋转轴铰链设计, 轻松应对高强度高频次重复运动需求
Advanced design of Hooke joint in the rotational axis, enables the robot to easily cope with the high-intensity repetitive operation.
- ◆ 非常适于食品、医药等行业的高速生产作业, 主要用于小型物料的装配、搬运、分拣等
The robot is ideal for high-speed production in food and medicine industry. Widely used in assembly, handling and pick-and-place of small materials.

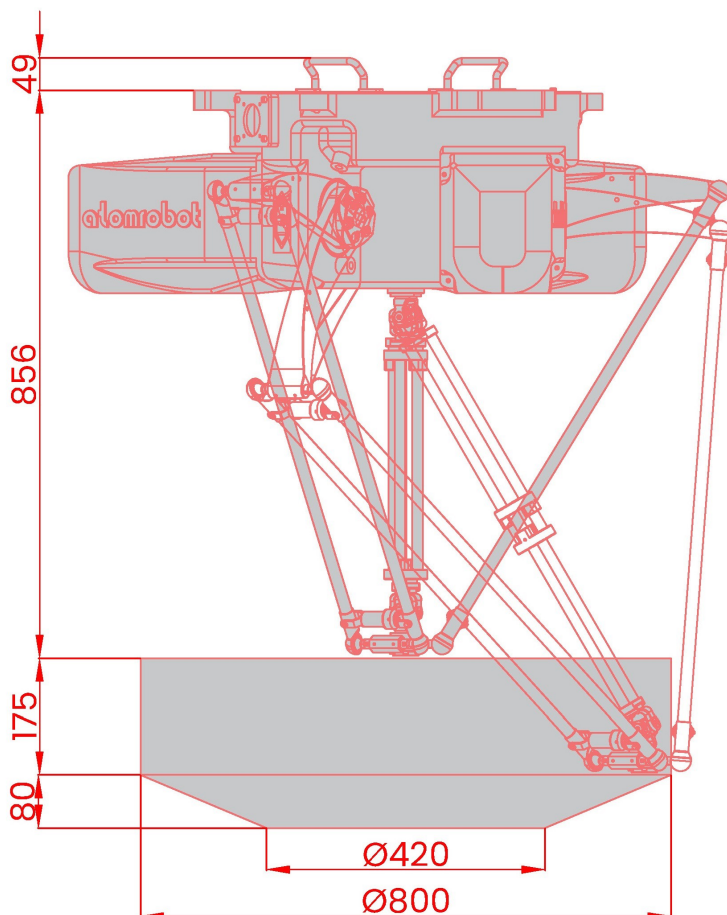
● 负载-频次 Load-Frequency



名称 Name	循环模式 Model	运动距离 Distance
轨迹1 Trajectory1	P1 → P2 → P3 → P4 → P3 → P2 → P1	h=25, b=305
轨迹2 Trajectory2	P1 → P2 → P3 → P4 → P3 → P2 → P1	h=25, b=500
轨迹3 Trajectory3	P1 → P2 → P3 → P2 → P1	h=25, b=305
轨迹4 Trajectory4	P1 → P2 → P3 → P2 → P1	h=25, b=500

特别注意: 图中节拍时间在实际条件下测得, 但根据实际运用情况的不同 (工具数据、路径半径、夹具启动等), 节拍时间也会发生变化。

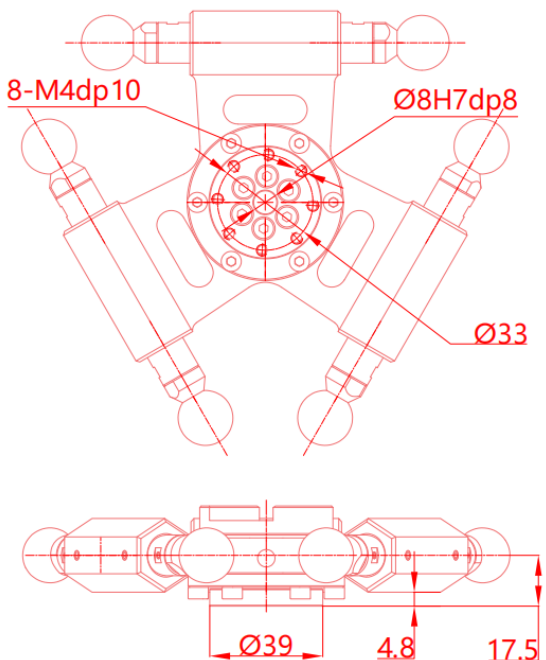
外形尺寸及运动范围
Outline dimensions and Working range (mm)



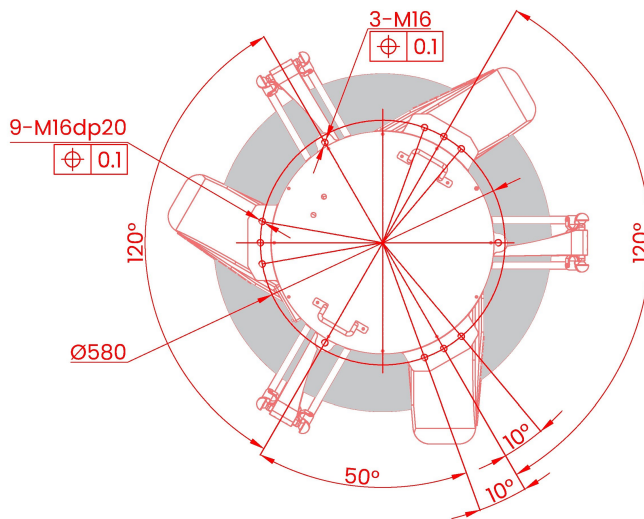
说明：
图示下部加深部分为机器人末端下表面几何中心的运动范围，上部为圆柱空间，并在下部向内收敛。

Instruction:
The bottom gray part is the workplace of bottom surface's center point of the end, which is composed of a cylinder at the top and a circular truncated cone at the bottom.

法兰 Flange (mm)



基座安装 Base installation (mm)



D3PZ-1100-P1



高速度
高精度
高稳定性
一体铸造

High speed
High precision
High stability
Whole body cast

型号 Type		D3PZ-1100-P1
轴数 Axes		3+1
最大负载 Payload		1kg
机器人本体 Manipulator	重量 Weight	93kg
	工作空间直径 Diameter	1100mm
重复定位精度 repeatability	位置 Position	0.05mm
	旋转 Rotation	0.1°
旋转范围 Rotation range		±360°
允许负载最大旋转惯量 Allowable maximum moment of inertia		80×10 ⁻⁴ kg·m ²
主动臂角度范围 Angle range of actuated arm	上摆 Up	24.5°
	下摆 Down	73.5°
输入电源 Power supply	三相 Three-phase 380VAC -10%~+10%, 49~61HZ	
电源容量 Power capacity	10KVA	
额定功率 Rated Power	6.1kw	
保存温度 Storage temperature	-10°C~70°C	
工作环境 Work environment	-10°C~50°C, RH≤80%	
防护等级 Protection	IP55/IP67	

- ◆ 标准循环时间小于0.35s,满足追求最高速度和最经济需求

The standard cycle time is less than 0.35s, meeting your pursuit for the maximum speed and economic.

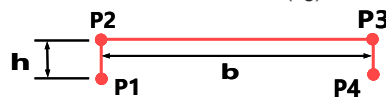
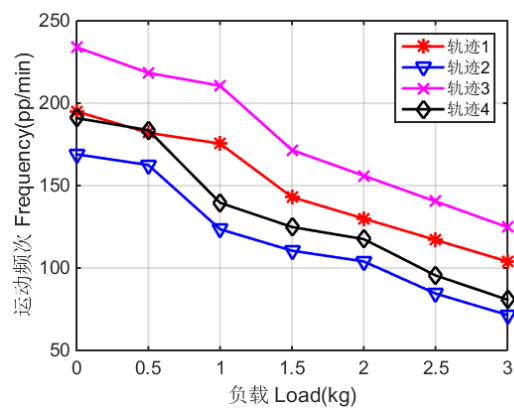
- ◆ 特殊旋转轴铰链设计, 轻松应对高强度高频次重复运动需求

Advanced design of Hooke joint in the rotational axis, enables the robot to easily cope with the high-intensity repetitive operation.

- ◆ 非常适于食品、医药等行业的高速生产作业, 主要用于小型物料的装配、搬运、分拣等

The robot is ideal for high-speed production in food and medicine industry. Widely used in assembly, handling and pick-and-place of small materials.

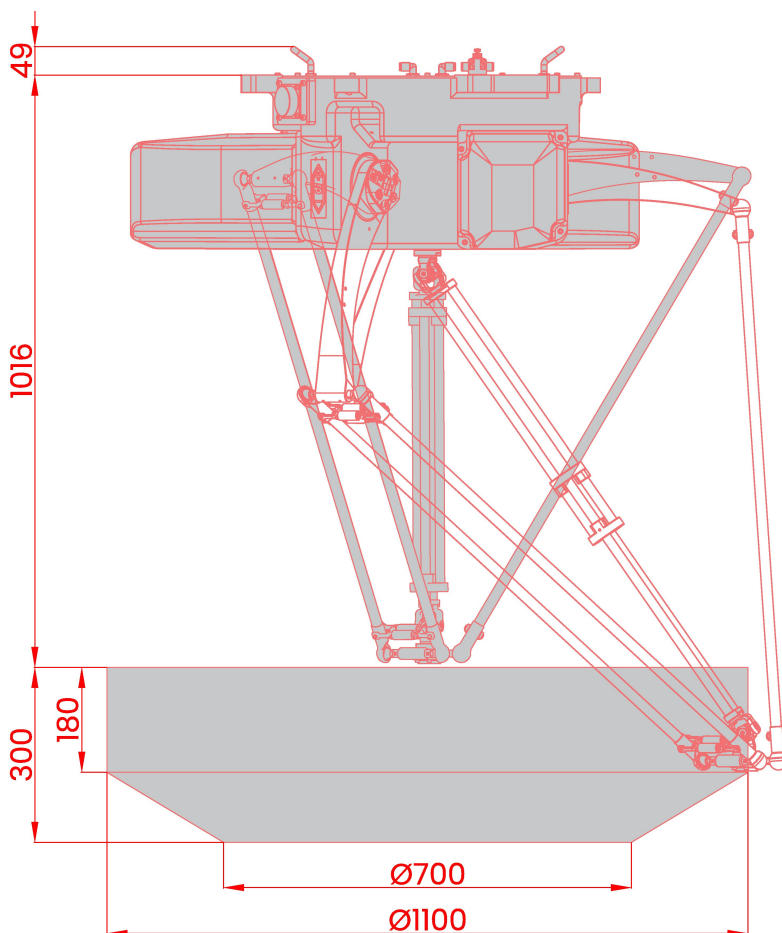
● 负载-频次 Load-Frequency



名称 Name	循环模式 Model	运动距离 Distance
轨迹1 Trajectory1	P1 → P2 → P3 → P4 → P3 → P2 → P1	h=25, b=305
轨迹2 Trajectory2	P1 → P2 → P3 → P4 → P3 → P2 → P1	h=25, b=500
轨迹3 Trajectory3	P1 → P2 → P3 → P2 → P1	h=25, b=305
轨迹4 Trajectory4	P1 → P2 → P3 → P2 → P1	h=25, b=500

特别注意: 图中节拍时间在实际条件下测得, 但根据实际运用情况的不同 (工具数据、路径半径、夹具启动等), 节拍时间也会发生变化。

外形尺寸及运动范围
Outline dimensions and Working range (mm)



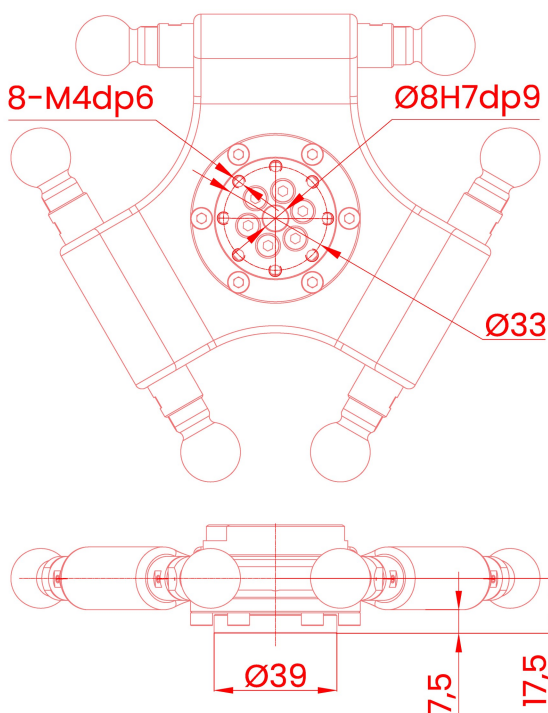
说明:

图示下部加深部分为机器人末端下表面几何中心的运动范围，上部为圆柱空间，并在下部向内收敛。

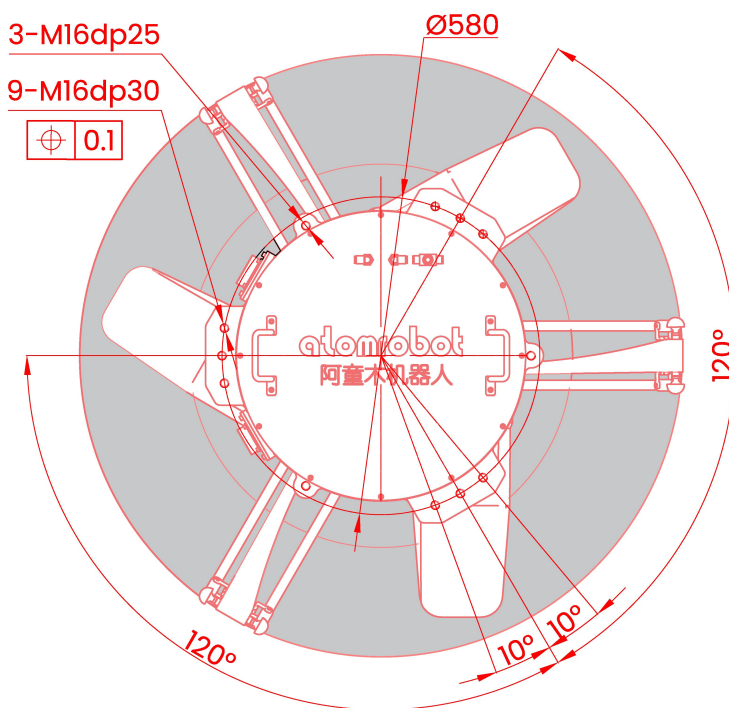
Instruction:

The bottom gray part is the workplace of bottom surface 's center point of the end, which is composed of a cylinder at the top and a circular truncated cone at the bottom.

法兰 Flange (mm)



基座安装 Base installation (mm)



D3PZ-1100-P3



高速度
高精度
高稳定性
一体铸造

High speed
High precision
High stability
Whole body cast

型号 Type		D3PZ-1100-P3
轴数 Axes		3+1
最大负载 Payload		3kg
机器人本体 Manipulator	重量 Weight	90.5kg
	工作空间直径 Diameter	1100mm
重复定位精度 repeatability	位置 Position	0.05mm
	旋转 Rotation	0.1°
旋转范围 Rotation range		±360°
允许负载最大旋转惯量 Allowable maximum moment of inertia		80×10 ⁻⁴ kg·m ²
主动臂角度范围 Angle range of actuated arm	上摆 Up	24.5°
	下摆 Down	73.5°
输入电源 Power supply	三相 Three-phase 380VAC -10%~+10%, 49~61HZ	
电源容量 Power capacity	10KVA	
额定功率 Rated Power	6.1kw	
保存温度 Storage temperature	-10°C~70°C	
工作环境 Work environment	-10°C~50°C, RH≤80%	
防护等级 Protection	IP55/IP67	

◆ 标准循环时间小于0.4s,满足追求最高速度和最经济需求

The standard cycle time is less than 0.4s, meeting your pursuit for the maximum speed and economic.

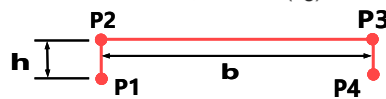
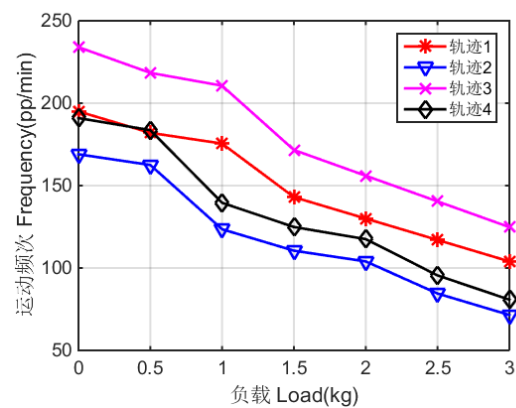
◆ 特殊旋转轴铰链设计, 轻松应对高强度高频次重复运动需求

Advanced design of Hooke joint in the rotational axis, enables the robot to easily cope with the high-intensity repetitive operation.

◆ 非常适于食品、医药等行业的高速生产作业, 主要用于小型物料的装配、搬运、分拣等

The robot is ideal for high-speed production in food and medicine industry. Widely used in assembly, handling and pick-and-place of small materials.

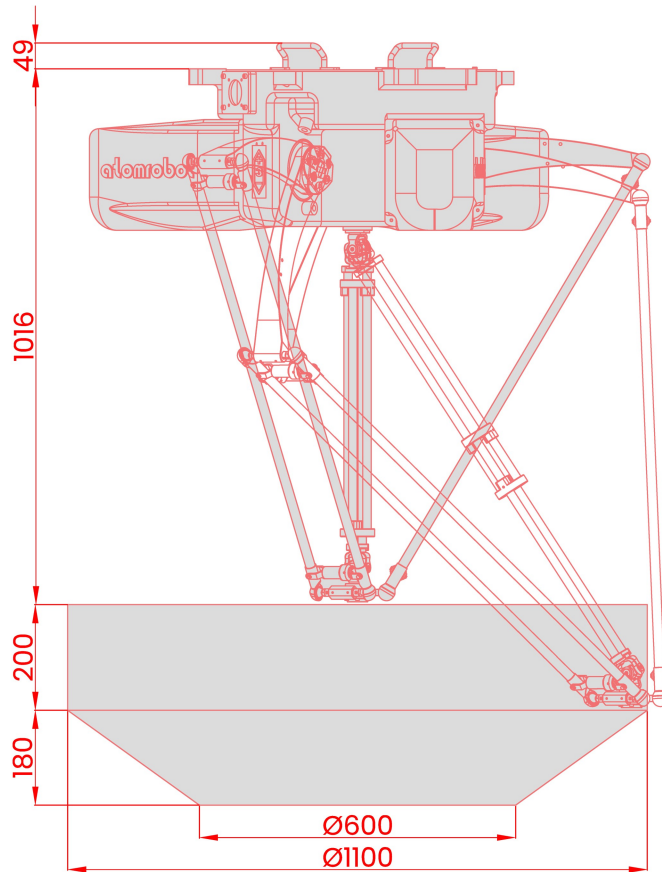
● 负载-频次 Load-Frequency



名称 Name	循环模式 Model	运动距离 Distance
轨迹1 Trajectory1	P1 → P2 → P3 → P4 → P3 → P2 → P1	h=25, b=305
轨迹2 Trajectory2	P1 → P2 → P3 → P4 → P3 → P2 → P1	h=25, b=500
轨迹3 Trajectory3	P1 → P2 → P3 → P2 → P1	h=25, b=305
轨迹4 Trajectory4	P1 → P2 → P3 → P2 → P1	h=25, b=500

特别注意: 图中节拍时间在实际条件下测得, 但根据实际运用情况的不同 (工具数据、路径半径、夹具启动等), 节拍时间也会发生变化。

外形尺寸及运动范围
Outline dimensions and Working range (mm)



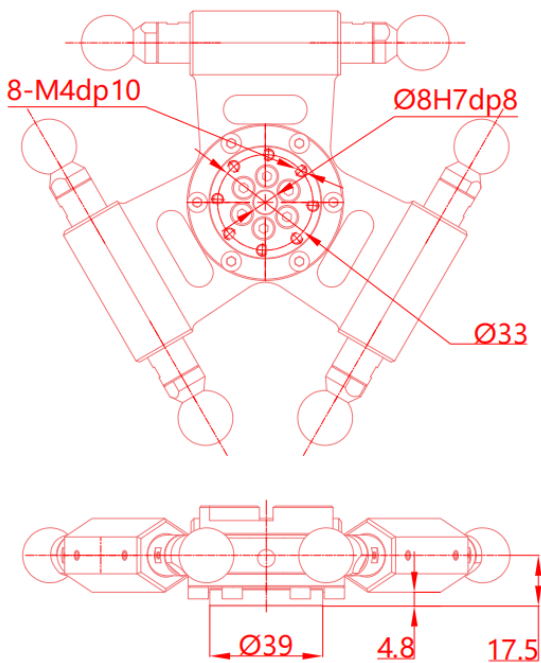
说明:

图示下部加深部分为机器人末端下表面几何中心的运动范围，上部为圆柱空间，并在下部向内收敛。

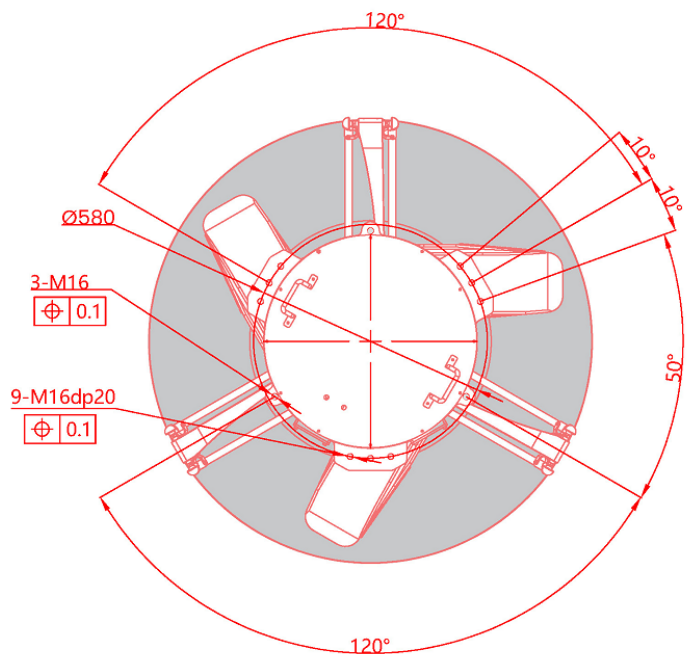
Instruction:

The bottom gray part is the workplace of bottom surface 's center point of the end, which is composed of a cylinder at the top and a circular truncated cone at the bottom.

法兰 Flange (mm)



基座安装 Base installation (mm)



D3PZ-1300-P3



高速度
高稳定性
大空间
经济实用

High speed
High stability
Large space
Economic & Practi-

型号 Type		D3PZ-1300-P3
轴数 Axes		3+1
最大负载 Payload		3kg
机器人本体 Manipulator	重量 Weight	93.5kg
	工作空间直径 Diameter	1300mm
重复定位精度 repeatability	位置 Position	0.05mm
	旋转 Rotation	0.1°
旋转范围 Rotation range		±360°
允许负载最大旋转惯量 Allowable maximum moment of inertia		$80 \times 10^{-4} \text{ kg} \cdot \text{m}^2$
主动臂角度范围 Angle range of actuated arm	上摆 Up	24.6°
	下摆 Down	78.5°
输入电源 Power supply	三相 Three-phase 380VAC -10%~+10%, 49~61HZ	
电源容量 Power capacity	10KVA	
额定功率 Rated Power	6.1kw	
保存温度 Storage temperature	-10°C~70°C	
工作环境 Work environment	-10°C~50°C, RH≤80%	
防护等级 Protection	IP55	

◆ 标准循环时间小于0.4s,满足追求最高速度和最经济需求

The standard cycle time is less than 0.4s, meeting your pursuit for the maximum speed and economic.

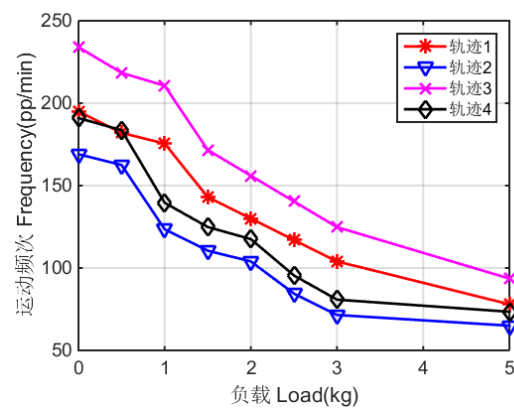
◆ 特殊旋转轴铰链设计, 轻松应对高强度高频次重复运动需求

Advanced design of Hooke joint in the rotational axis, enables the robot to easily cope with the high-intensity repetitive operation.

◆ 非常适于食品、医药等行业的高速生产作业, 主要用于小型物料的装配、搬运、分拣等

The robot is ideal for high-speed production in food and medicine industry. Widely used in assembly, handling and pick-and-place of small materials.

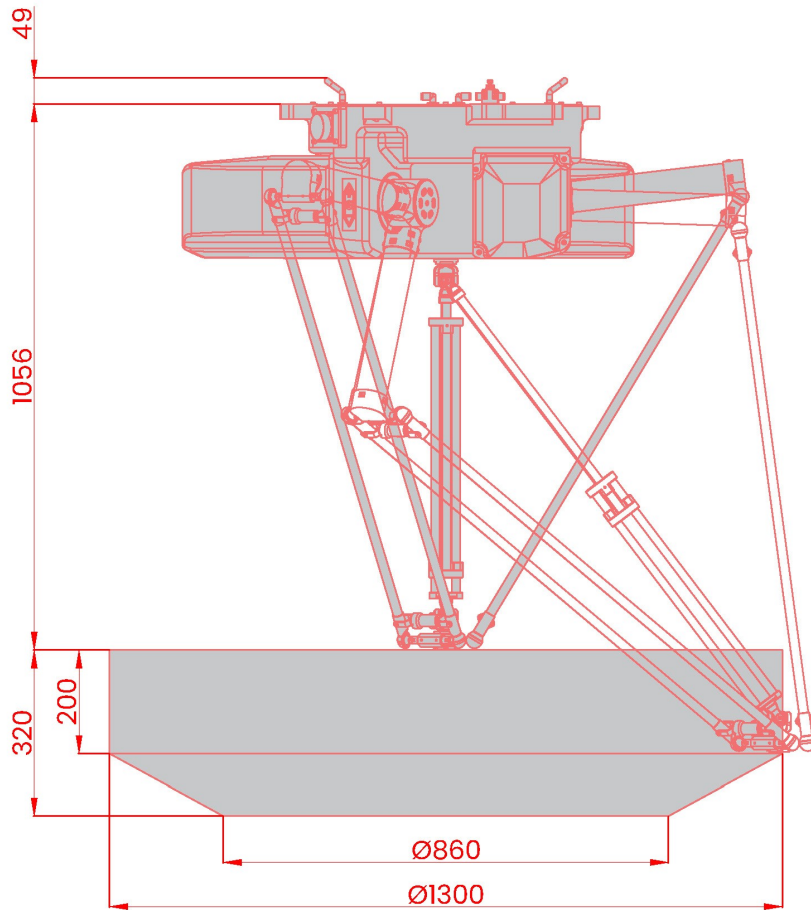
● 负载-频次 Load-Frequency



名称 Name	循环模式 Model	运动距离 Distance
轨迹1 Trajectory1	P1 → P2 → P3 → P4 → P3 → P2 → P1	h=25, b=305
轨迹2 Trajectory2	P1 → P2 → P3 → P4 → P3 → P2 → P1	h=25, b=500
轨迹3 Trajectory3	P1 → P2 → P3 → P2 → P1	h=25, b=305
轨迹4 Trajectory4	P1 → P2 → P3 → P2 → P1	h=25, b=500

特别注意: 图中节拍时间在实际条件下测得, 但根据实际运用情况的不同 (工具数据、路径半径、夹具启动等), 节拍时间也会发生变化。

外形尺寸及运动范围
Outline dimensions and Working range (mm)



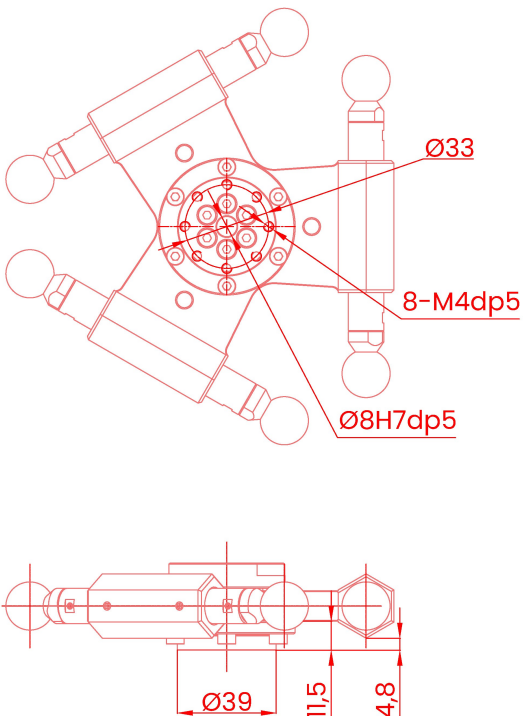
说明:

图示下部加深部分为机器人末端下表面几何中心的运动范围，上部为圆柱空间，并在下部向内收敛。

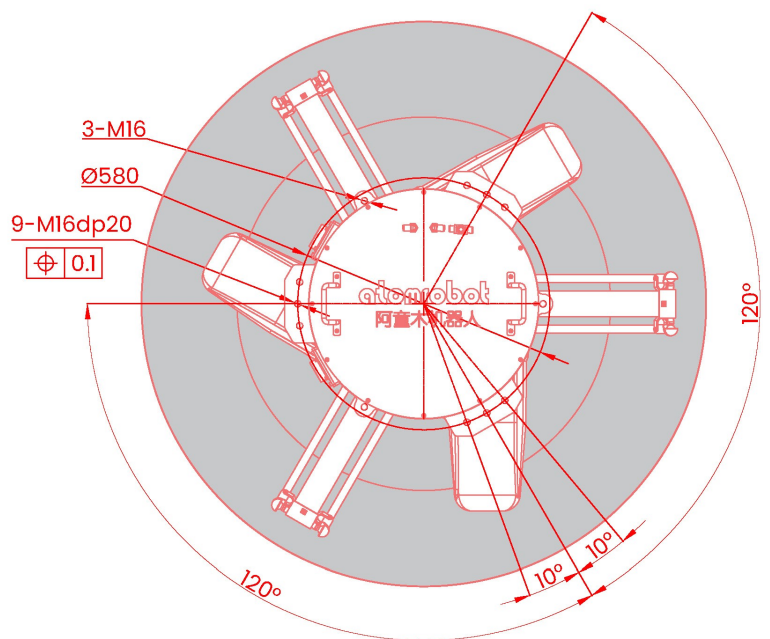
Instruction:

The bottom gray part is the workplace of bottom surface 's center point of the end, which is composed of a cylinder at the top and a circular truncated cone at the bottom.

法兰 Flange (mm)



基座安装 Base installation (mm)



D3PZ-1400-P3



高速度
高稳定性
大空间
经济实用

High speed
High stability
Large space
Economic & Practi-

型号 Type		D3PZ-1400-P3
轴数 Axes		3+1
最大负载 Payload		3kg
机器人本体 Manipulator	重量 Weight	96.5kg
	工作空间直径 Diameter	1400mm
重复定位精度 repeatability	位置 Position	0.05mm
	旋转 Rotation	0.1°
旋转范围 Rotation range		±360°
允许负载最大旋转惯量 Allowable maximum moment of inertia		$80 \times 10^{-4} \text{kg} \cdot \text{m}^2$
主动臂角度范围 Angle range of actuated arm	上摆 Up	28°
	下摆 Down	73°
输入电源 Power supply	三相 Three-phase 380VAC -10%~+10%, 49~61HZ	
电源容量 Power capacity	10KVA	
额定功率 Rated Power	6.1kw	
保存温度 Storage temperature	-10°C~70°C	
工作环境 Work environment	-10°C~50°C, RH≤80%	
防护等级 Protection	IP55	

◆ 标准循环时间小于0.4s,满足追求最高速度和最经济需求

The standard cycle time is less than 0.4s, meeting your pursuit for the maximum speed and economic.

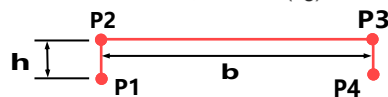
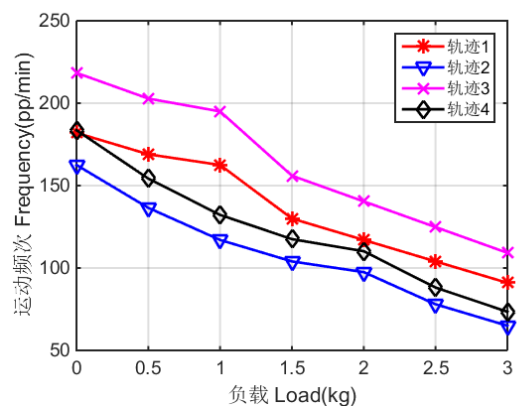
◆ 特殊旋转轴铰链设计, 轻松应对高强度高频次重复运动需求

Advanced design of Hooke joint in the rotational axis, enables the robot to easily cope with the high-intensity repetitive operation.

◆ 非常适于食品、医药等行业的高速生产作业, 主要用于小型物料的装配、搬运、分拣等

The robot is ideal for high-speed production in food and medicine industry. Widely used in assembly, handling and pick-and-place of small materials.

● 负载-频次 Load-Frequency

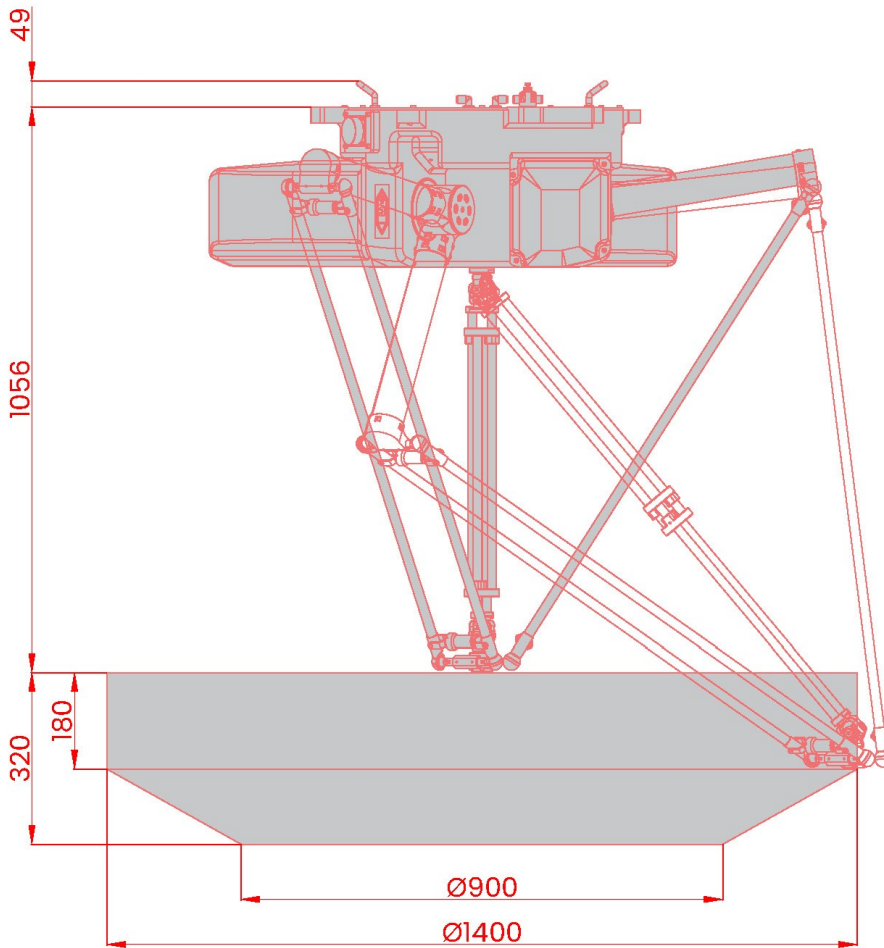


名称 Name	循环模式 Model	运动距离 Distance
轨迹1 Trajectory1	P1 → P2 → P3 → P4 → P3 → P2 → P1	h=25, b=305
轨迹2 Trajectory2	P1 → P2 → P3 → P4 → P3 → P2 → P1	h=25, b=500
轨迹3 Trajectory3	P1 → P2 → P3 → P2 → P1	h=25, b=305
轨迹4 Trajectory4	P1 → P2 → P3 → P2 → P1	h=25, b=500

特别注意: 图中节拍时间在实际条件下测得, 但根据实际运用情况的不同 (工具数据、路径半径、夹具启动等), 节拍时间也会发生变化。

外形尺寸及运动范围

Outline dimensions and Working range (mm)



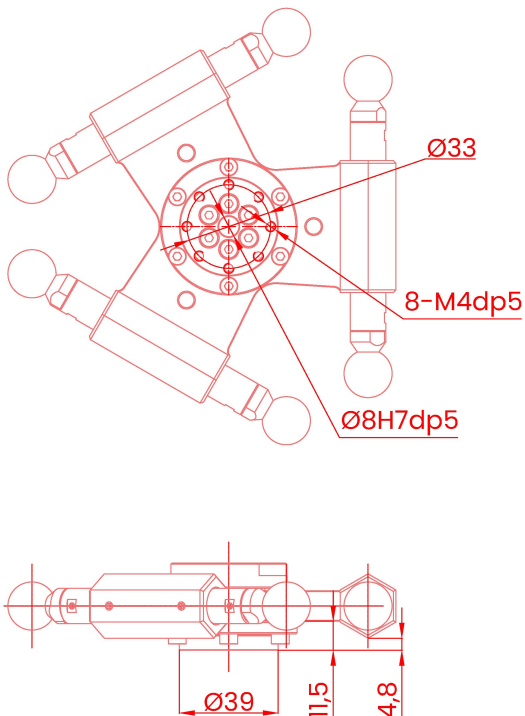
说明:

图示下部加深部分为机器人末端下表面几何中心的运动范围，上部为圆柱空间，并在下部向内收敛。

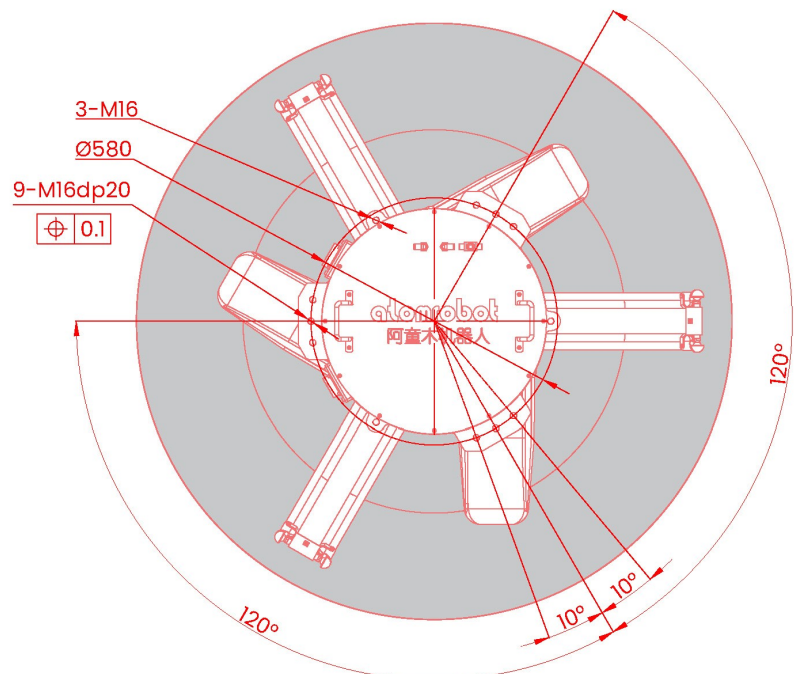
Instruction:

The bottom gray part is the workplace of bottom surface 's center point of the end, which is composed of a cylinder at the top and a circular truncated cone at the

法兰 Flange (mm)



基座安装 Base installation (mm)



D3PZ-1600-P3



高速度
高稳定性
大空间
经济实用

High speed
High stability
Large space
Economic & Practi-

型号 Type		D3PZ-1600-P3
轴数 Axes		3+1
最大负载 Payload		3kg
机器人本体 Manipulator	重量 Weight	99.8kg
	工作空间直径 Diameter	1600mm
重复定位精度 repeatability	位置 Position	0.05mm
	旋转 Rotation	0.1°
旋转范围 Rotation range		±360°
允许负载最大旋转惯量 Allowable maximum moment of inertia		$80 \times 10^{-4} \text{kg} \cdot \text{m}^2$
主动臂角度范围 Angle range of actuated arm	上摆 Up	28°
	下摆 Down	73°
输入电源 Power supply	三相 Three-phase 380VAC -10%~+10%, 49~61HZ	
电源容量 Power capacity	10KVA	
额定功率 Rated Power	6.1kw	
保存温度 Storage temperature	-10°C~70°C	
工作环境 Work environment	-10°C~50°C, RH≤80%	
防护等级 Protection	IP55	

◆ 标准循环时间小于0.4s,满足追求最高速度和最经济需求

The standard cycle time is less than 0.4s, meeting your pursuit for the maximum speed and economic.

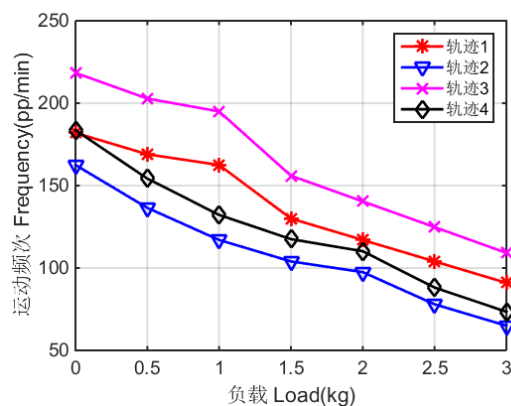
◆ 特殊旋转轴铰链设计, 轻松应对高强度高频次重复运动需求

Advanced design of Hooke joint in the rotational axis, enables the robot to easily cope with the high-intensity repetitive operation.

◆ 非常适于食品、医药等行业的高速生产作业, 主要用于小型物料的装配、搬运、分拣等

The robot is ideal for high-speed production in food and medicine industry. Widely used in assembly, handling and pick-and-place of small materials.

● 负载-频次 Load-Frequency

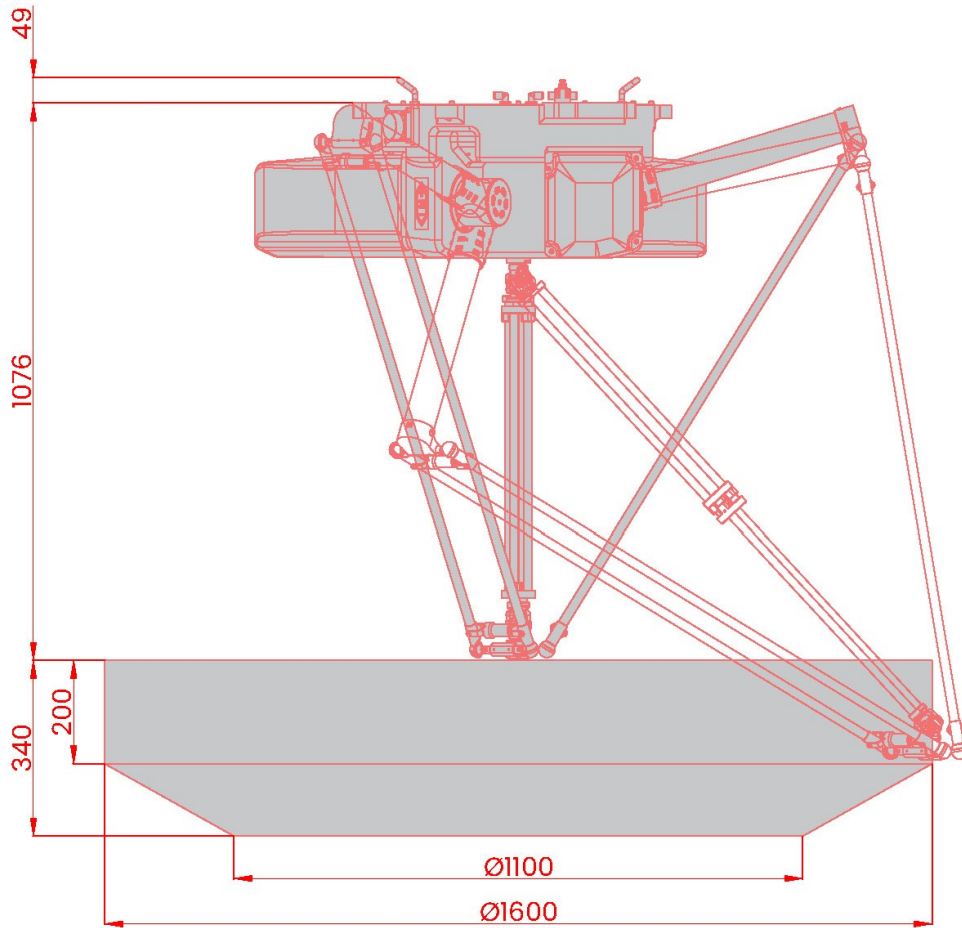


名称 Name	循环模式 Model	运动距离 Distance
轨迹1 Trajectory1	P1 → P2 → P3 → P4 → P3 → P2 → P1	h=25, b=305
轨迹2 Trajectory2	P1 → P2 → P3 → P4 → P3 → P2 → P1	h=25, b=500
轨迹3 Trajectory3	P1 → P2 → P3 → P2 → P1	h=25, b=305
轨迹4 Trajectory4	P1 → P2 → P3 → P2 → P1	h=25, b=500

特别注意: 图中节拍时间在实际条件下测得, 但根据实际运用情况的不同 (工具数据、路径半径、夹具启动等), 节拍时间也会发生变化。

外形尺寸及运动范围

Outline dimensions and Working range (mm)



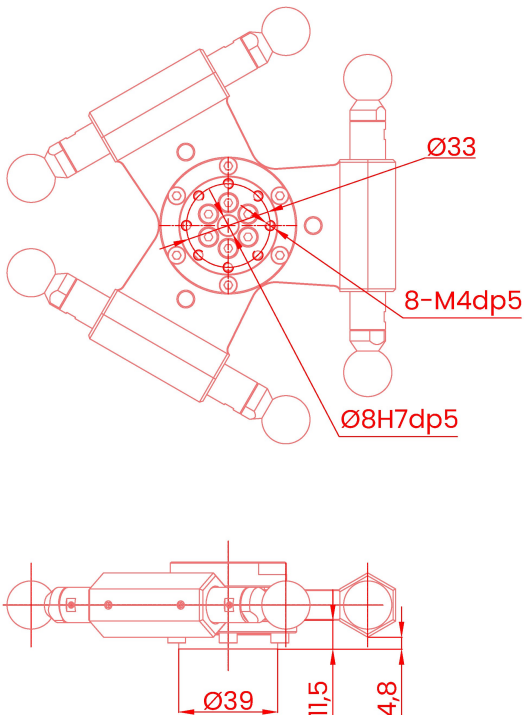
说明:

图示下部加深部分为机器人末端下表面几何中心的运动范围，上部为圆柱空间，并在下部向内收敛。

Instruction:

The bottom gray part is the workplace of bottom surface 's center point of the end, which is composed of a cylinder at the top and a circular truncated cone at the bottom.

法兰 Flange (mm)



基座安装 Base installation (mm)

